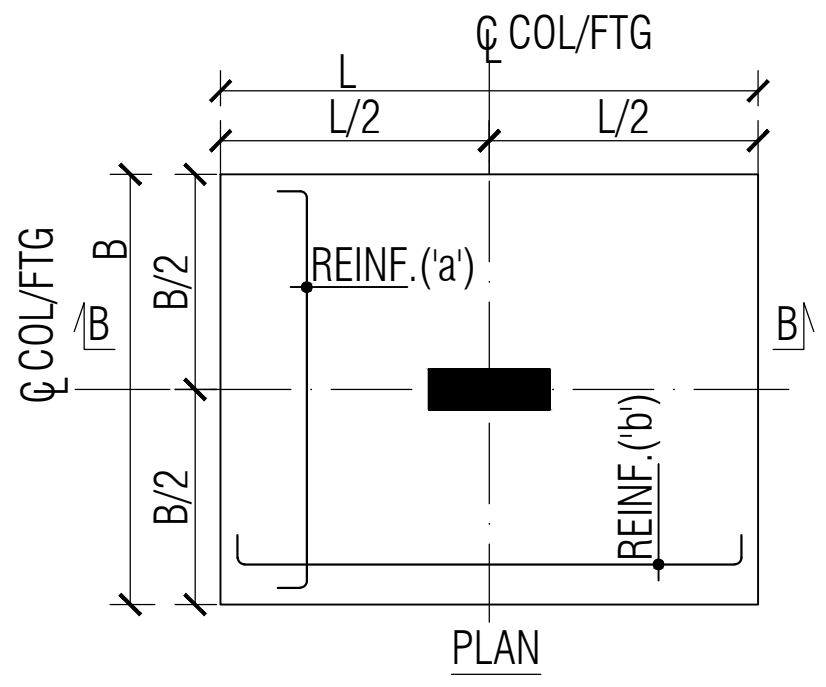
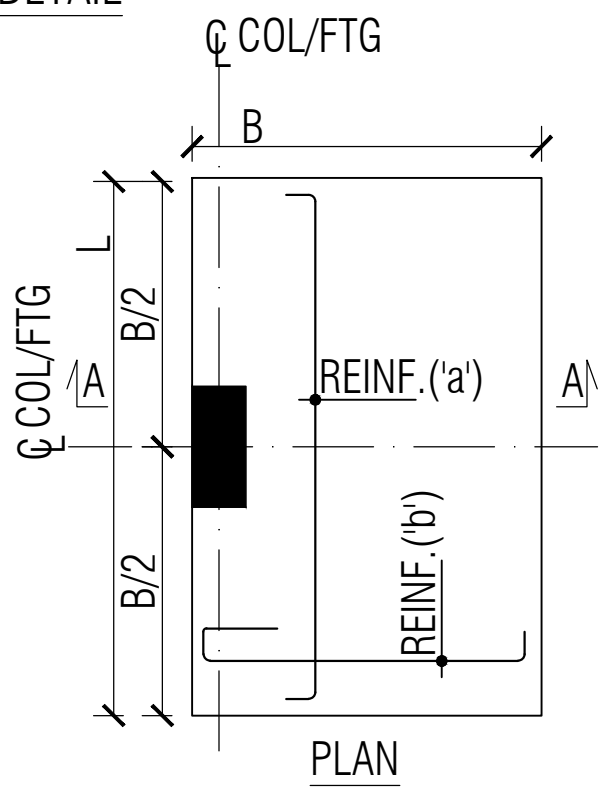
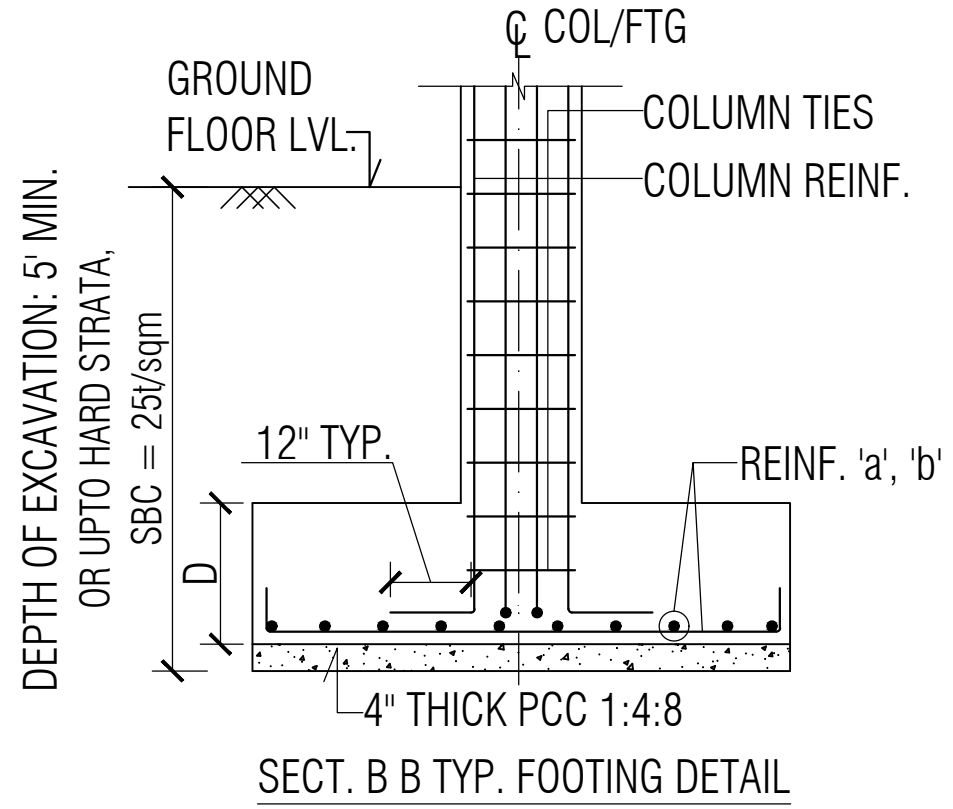
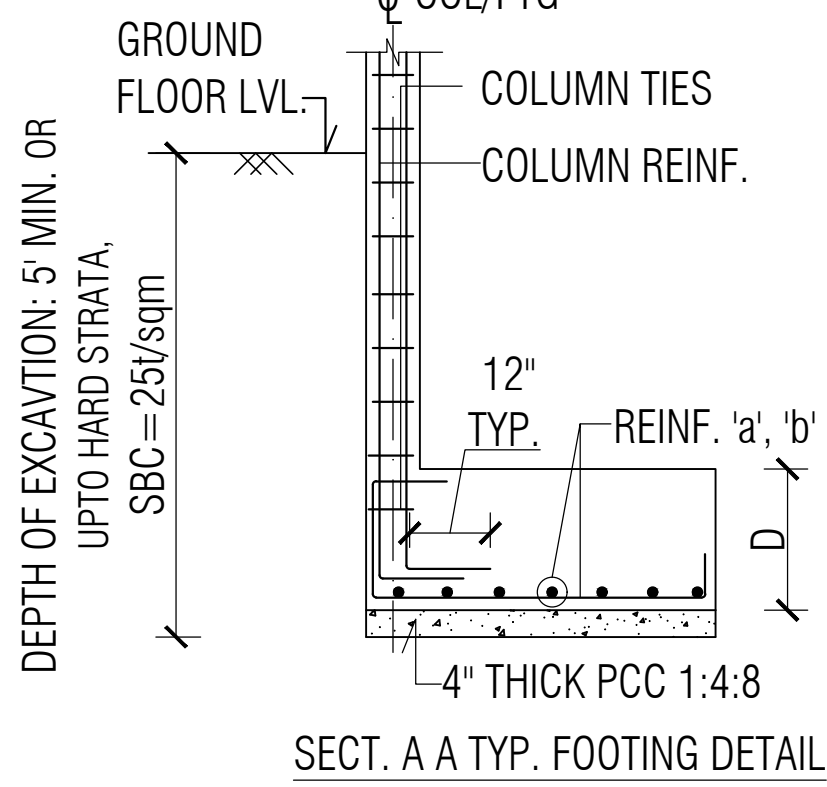


FOOTING DETAIL



SCHEDULE OF FOOTING SIZES				
FTG. NO.	BREADTH FB	LENGTH FL	DEPTH FD	REINF. 'a','b'
F1	2'0"	2'6"	12"	8T@5 $\frac{1}{2}$ "
F2	3'0"	3'6"	12"	8T@5 $\frac{1}{2}$ "
F3	3'0"	3'10"	12"	8T@5 $\frac{1}{2}$ "
F3A	3'0"	3'10"	15"	8T@4 $\frac{1}{2}$ "
F4	3'6"	4'4"	12"	8T@5 $\frac{1}{2}$ "
F5	4'6"	5'4"	15"	8T@4 $\frac{1}{2}$ "



- NOTES:**
1. REFER ANJ_CLLA&FTLA R0
 2. CONCRETE M20
 3. REINF. HYSD FY=500 N/SQ.MM
 4. ANY DEVIATION MUST HAVE PRIOR APPROVAL FROM SWIFT ENGINEERS.
 5. SWIFT ENGINEERS WILL NOT ACCEPT RESPONSIBILITY FOR ANY VARIATIONS OR OMISSIONS WHICH DO NOT HAVE THEIR WRITTEN CONSENT.

ARCHITECT:

STRUCTURAL CONSULTANT:
 SWIFT ENGINEERS
 #199, 2nd B Main, 7th Cross, 9 Block, Vinayaka Layout, Nagarabhavi 2nd Stage, B-72, 9886604459/9538461653, swiftengineers19@gmail.com

GOOD FOR CONSTRUCTION		DATE	REV.	REVISIONS
PROJECT: ANJANEYA TEMPLE AT MEDAHALLY, BENGALURU		SEAL: DWN: MM		
DRAWING: FOOTING DETAILS				
DRAWING NO.: ANJ_FT R0		150321	DGN: S.K. SHAILESH 9538461653	
ARCH. REF. DWG.:		A4, NTS	CKD: HARISH.S.PATIL 9886604459	